



IMPORTANT: READ ALL INSTRUCTIONS CAREFULLY BEFORE STARTING INSTALLATION AND OR USE. FAILURE TO FOLLOW THESE INSTALLATION INSTRUCTIONS MAY RESULT IN A POSSIBLE FIRE HAZARD AND OR INJURY. RETAIN DOCUMENT FOR FUTURE REFERENCE.



CALIFORNIA PROPOSITION 65 WARNING via <https://www.p65warnings.ca.gov/>:

- Combustion byproducts produced when using this product include carbon monoxide and other chemicals known to the State of California to cause cancer, birth defects and other reproductive harm.

WARNING: FOR OUTDOOR USE ONLY

- Fire pit should NEVER be placed on, under, or near any combustible, flammable, or heat susceptible surface, material, liquid, or construction. A professional is recommended to install/inspect installation on level surface. Improper installation, adjustment, alteration, service or maintenance could cause injury or property damage. Ensure your fire pit is positioned safely away from anything that can catch fire; take wind and traffic into consideration. This product is for single family/residential use only. Do not operate in building or any other enclosed areas. Fires should not be lit when weather conditions could create a running fire or could cause smoke to be a nuisance to another person.
- Consult local fire marshal, inspector, local safety authority, and/or authority having jurisdiction to follow and define local codes for usage and placement of product and/or if you have any uncertainty regarding installation, operation, or placement. Owner is responsible for adhering and following local laws and code regarding open flame and fire pit use. Fire pit should NEVER be placed on or closer than 6 ft from any side to any combustible construction, structures, or material. Do not place on or under any construction, combustible surfaces, or surfaces susceptible to heat. Adequate ventilation is required. Always have a fire extinguisher or water hose handy when burning.
- All fires must be supervised and should not be left unattended especially around children. They should never be allowed to touch, sit or stand on any part of the fire pit. Never lean over the surface when lighting or during use. Wear proper clothing when operating. Loose fitted or hanging garments should never be worn while using the fire pit. Also, in general, be aware of possible sharp edges and burrs on metal.
- Fire pit and grate will get hot during use. Use extreme caution. Do not touch hot outside surfaces of your fire pit while it is in use. Area under fire pit will be exposed to extreme heat. Be cautious after the fire pit has seemingly stopped burning, do not touch, as the fire pit could have residual heat built up in the materials and fill.

MAINTENANCE FOR FIRE PIT:

- All maintenance should be done when fire pit has been completely extinguished and cooled. For Cor-Ten/A588 & mild A36 steel units with patina: Due to the nature of the organic material and rusting process, initial finish may vary and will also change/darken over time and usage. Lightly buff surface with non-metal scour pad, light sandpaper, or wire brush as needed for aesthetic quality; rinse and let dry. If necessary wash with mild soap and water using soft brush, sponge, or light-medium duty pressure washer. For 304/316 stainless steel units: If necessary wash with mild soap and water using soft brush, sponge, or light-medium duty pressure washer

GAS OPTION:

- Always consult plumbing professional to plan and execute your installation. Please review Standard Burner Kit Installation PDF from Spotix (www.Spotix.com before) purchase. Contact Spotix with any technical inquiries about requirements, their kit, parts, or installation. Gas pits need to be installed by a plumbing professional to ensure code compatibility and safety.
- Our gas kits from Spotix come with a ring, some fittings per gas type, and a key valve for your installer for help with a manual lighting set up. Other parts will/may be necessary, so please consult with your installer.
- Infill media not supplied; Grey lava rock media recommended & pictured for effect .

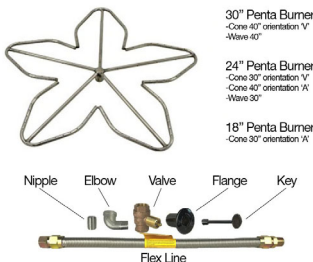
DISCLAIMER OF LIABILITY FOR THIRD PARTY PRODUCTS:

- As part of products to the Customers, PLODES STUDIO may provide third party products ("Third Party Services"). PLODES STUDIO DISCLAIMS ANY AND ALL LIABILITY, INCLUDING ANY EXPRESS OR IMPLIED WARRANTIES, WHETHER ORAL OR WRITTEN, FOR SUCH THIRD PARTY SERVICES OR PRODUCTS. THE CUSTOMER ACKNOWLEDGES THAT NO REPRESENTATION HAS BEEN MADE BY PLODES STUDIO AS TO THE FITNESS OF THE THIRD PARTY PRODUCTS FOR THE CUSTOMER'S INTENDED PURPOSE.

PROVIDED PARTS:

* Includes Spotix Penta HPC Match Lit Fire Pit Burner Kit.

Manual Light Gas Kit Parts List



*Coupler & Air Mixer additionally provided for Propane Gas Kit

STATS:

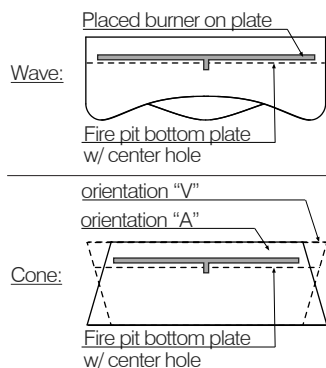
Burner size and max Btu:

- Penta Burner 18" = 125k Btu max
- Penta Burner 24" = 200k Btu max
- Penta Burner 30" = 250k Btu max

Approximate volumes of burner dish area per model/orientation for fill estimations:

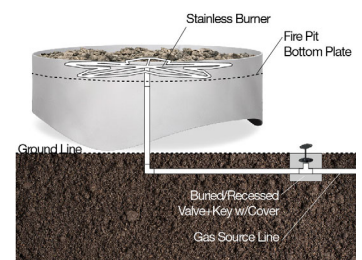
- Cone Fire Pit:
 - GCFP 40" orientation "A" = 2.42 cu ft
 - GCFP 30" orientation "A" = 1.18 cu ft
 - GCFP 40" orientation "V" = 3.26 cu ft
- Wave Fire Pit:
 - GWFP 40" = 3.50 cu ft
 - GWFP 30" = 1.97 cu ft

ELEVATIONS/SECTIONS:



INSTALL CONCEPT:

*Always consult with your installer and local authority.
In Ground Valve Install Concept



plodes studio will not be responsible for and you the user will pay for: (a) damages caused by accident, abuse, negligence, misuse, riot, fire, flood, or Acts of God (b) damages caused by operating the unit where there is a corrosive atmosphere containing chlorine, fluorine, or any other damaging chemicals (other than in a normal residential environment) (c) damages caused by any unauthorized alteration or repair of the unit affecting its stability or performance (d) damages caused by improper matching or application of the unit or the unit's components (e) damages caused by failing to provide proper maintenance and service to the unit (f) damage repairs, inoperation or inefficiency resulting from faulty installation or application. Plodes Studio shall not be liable for any incidental, consequential, or special damages or expenses in connection with any use or failure of this unit. plodes studio cannot be held responsible for damage or injury caused by improper use of the fire pit and its accessories.